

Machine width will be 787,5 cm.

# RDA 800C

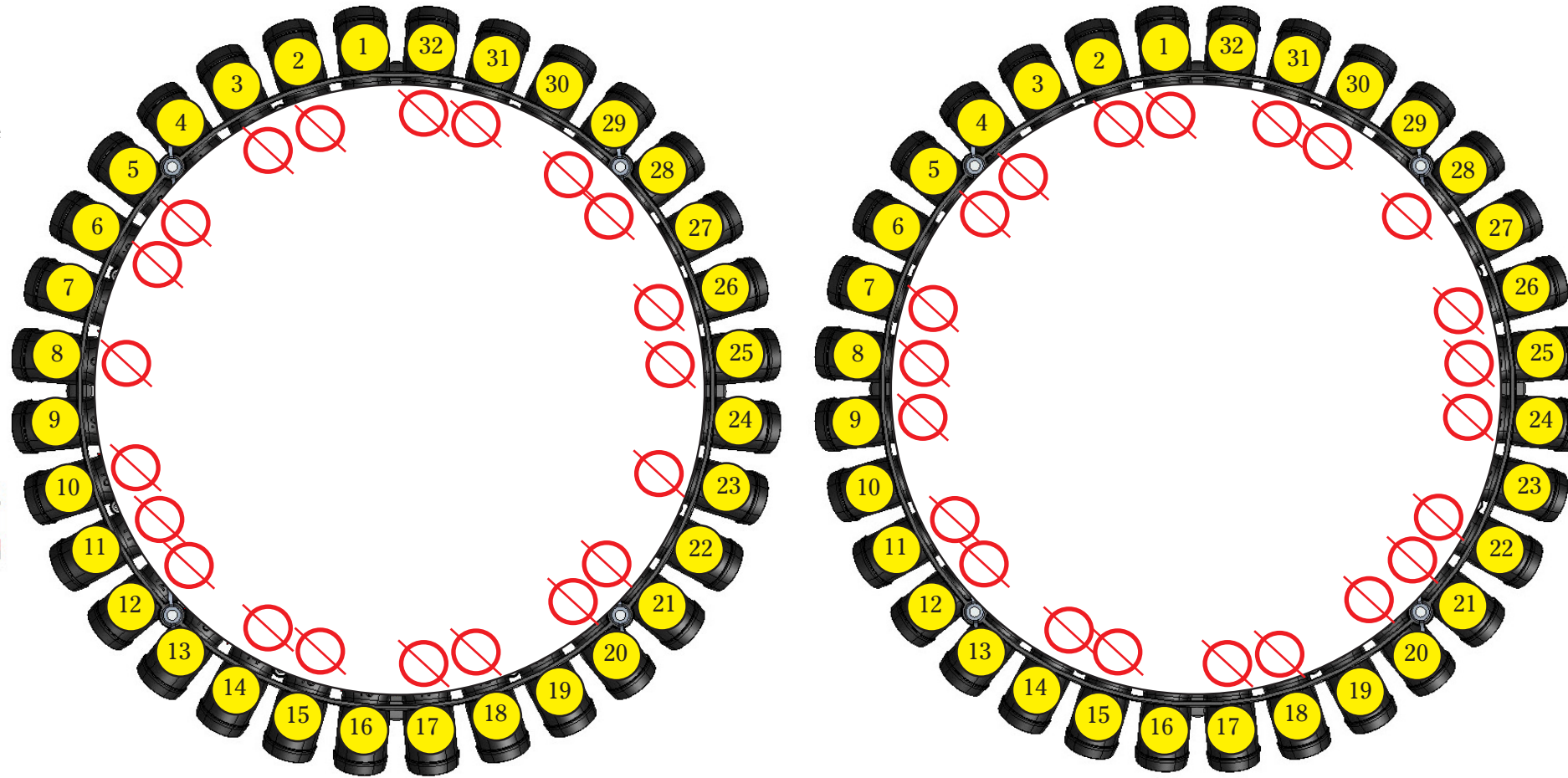
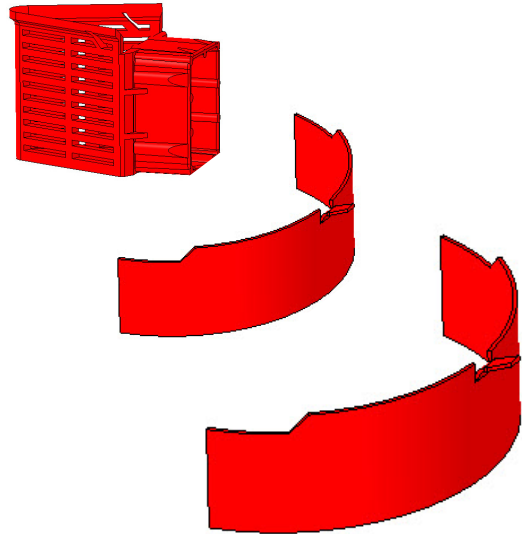
**Plugs needed:**

- 181712    14 (2 row shut off)
- 181713    4 (3 row shut off)
- 185961    3 (1 row shut off)

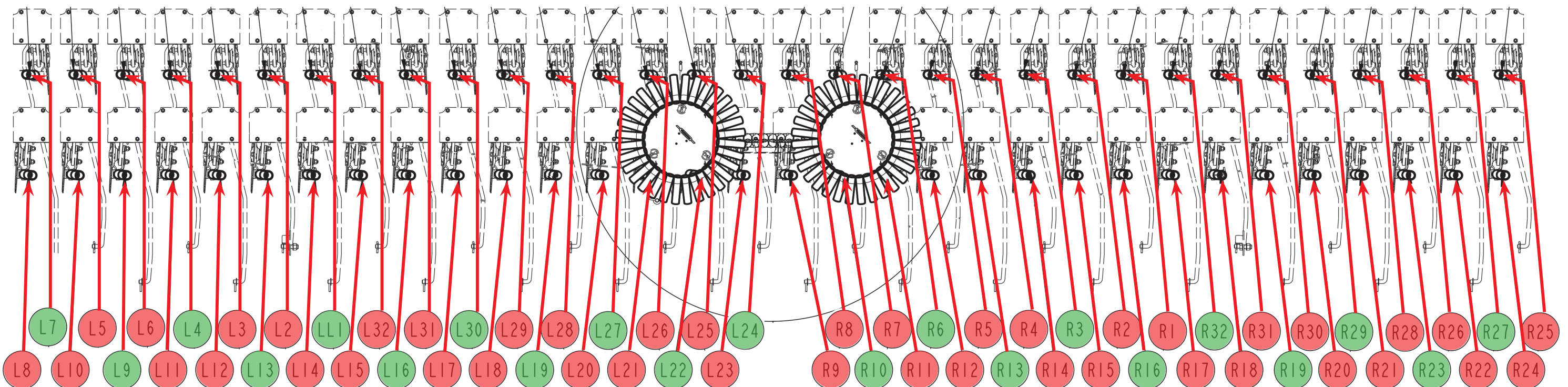
Plug set up  
375 mm

**Note! The plugging differs between the heads!**

The machine will be 125 mm offset because 2 row shut off on right side and 1 row shut off on the left.



- = Row shut off
- = Row open

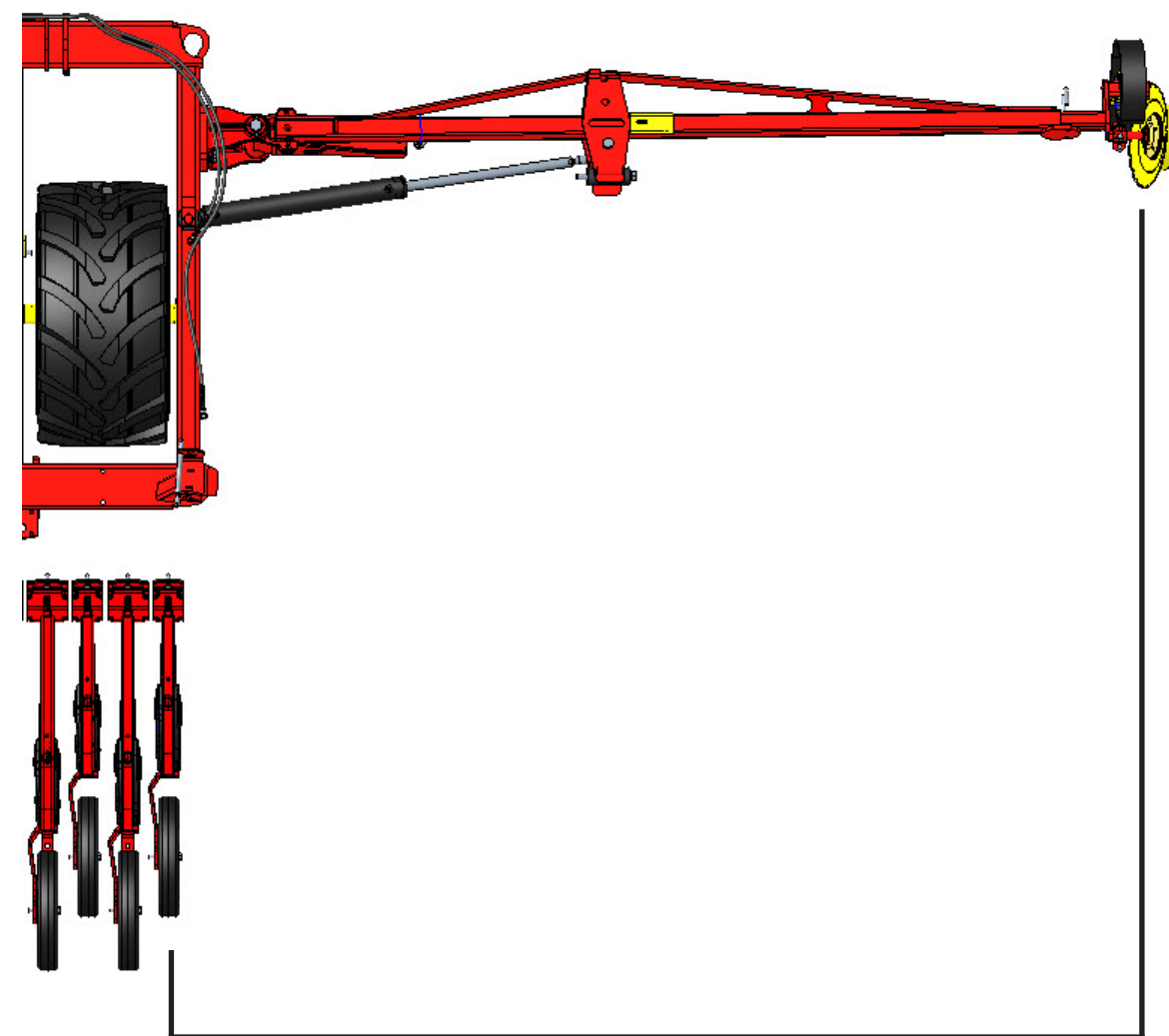


**Left marker**



**4,06 m**

**Right marker**



**3,94 m**